

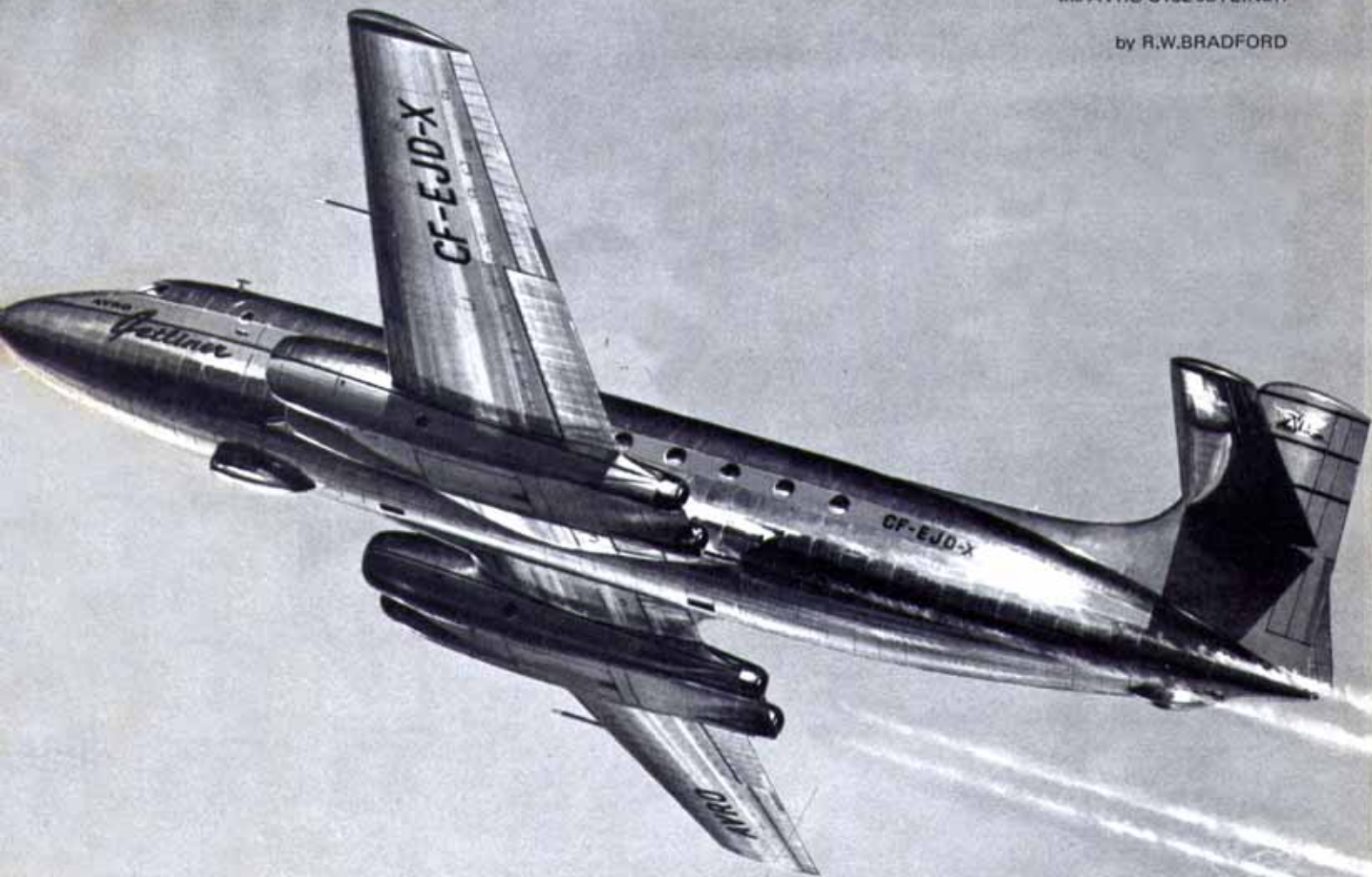
The *CAHS* Journal



published by the
**CANADIAN
AVIATION
HISTORICAL
SOCIETY**
VOL.10 NO.1 SPRING 72

the AVRO C102 JETLINER

by R.W.BRADFORD



The CAHS Journal



Published quarterly by the
Canadian Aviation Historical Society

National Headquarters,
P.O. Box 224, Willowdale, Ontario

CAHS OFFICERS

PRESIDENT F.W. Hotson
VICE-PRESIDENT K.M. Molson
SECRETARY H.R. Johns
TREASURER J.H. Ham
MEMBERSHIP SECRETARY S.D. Benner

DIRECTORS C. Catalano
E.P. Gardiner
H.A. Halliday
H.R. Johns
C.D. Long
J.W. Phipps
W.R. Richardson
D.M. Swift
W.J. Wheeler
L. Wilkinson

CAHS JOURNAL STAFF

EDITOR W.J. Wheeler,
4 Rougecrest Drive,
Markham, Ont.

ASS'T EDITOR J.R. Ellis

ASSISTANTS Mrs. J.R. Ellis
Technical Production D. MacRitchie

ASSOCIATE EDITORS H.E. Creagen
G. Fuller
H.A. Halliday
A. Martin
D.M. Swift

GRAPHICS COMMITTEE T. Bjarnason
P. Mossman
J.W. Phipps
F.C. Taylor

CHAPTER ADDRESSES TORONTO C. Catalano, 93 Newlands Avenue, Scarborough, Ont. Tel: 691-4947
MONTREAL W.R. Richardson, 82 Pardo Avenue, Pointe Claire, P.Q. Tel: 697-2109
OTTAWA E.P. Gardiner, Fallowfield Rd., R.R. #7, Ottawa, Ont. K2H7V2.

The CAHS is officially incorporated as a non-profit organization, under a charter from the Federal Government

Printed by Swan Service Limited

contents, spring 72 VOL.10 NO.1

The Avro Canada C-102 Jetliner	R.W. Bradford	Cover
Manouan Challenge (Part I)	S.J. Woodham	3
The Curtiss HS-2L in CAF/RCAF Service	I. Wikene	13
In Memoriam		15
Testing the Jetliner	D. Rogers	16
President's Message	F.W. Hotson	22
Editorial	W.J. Wheeler	22
Background to the Canadian Civil Aircraft Register	J.R. Ellis	23
The Canadian Civil Aircraft Register - (G-CA** Series - Part I)		25
Par Avion		31
The Avro Canada C-102 Jetliner - Avro Canada via K. Barlow	G.A. Drawing	Rear Cover

PHOTO PAGES

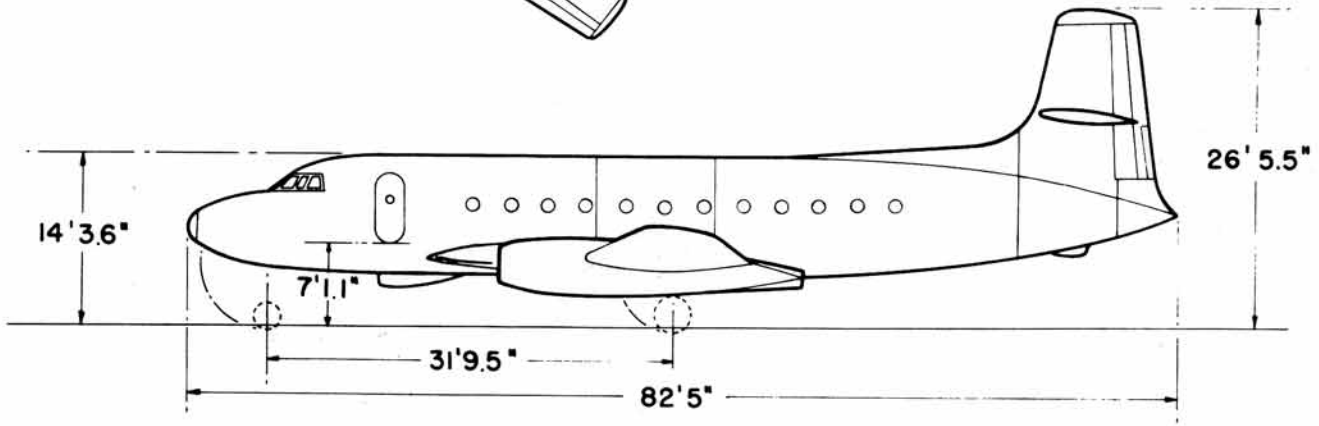
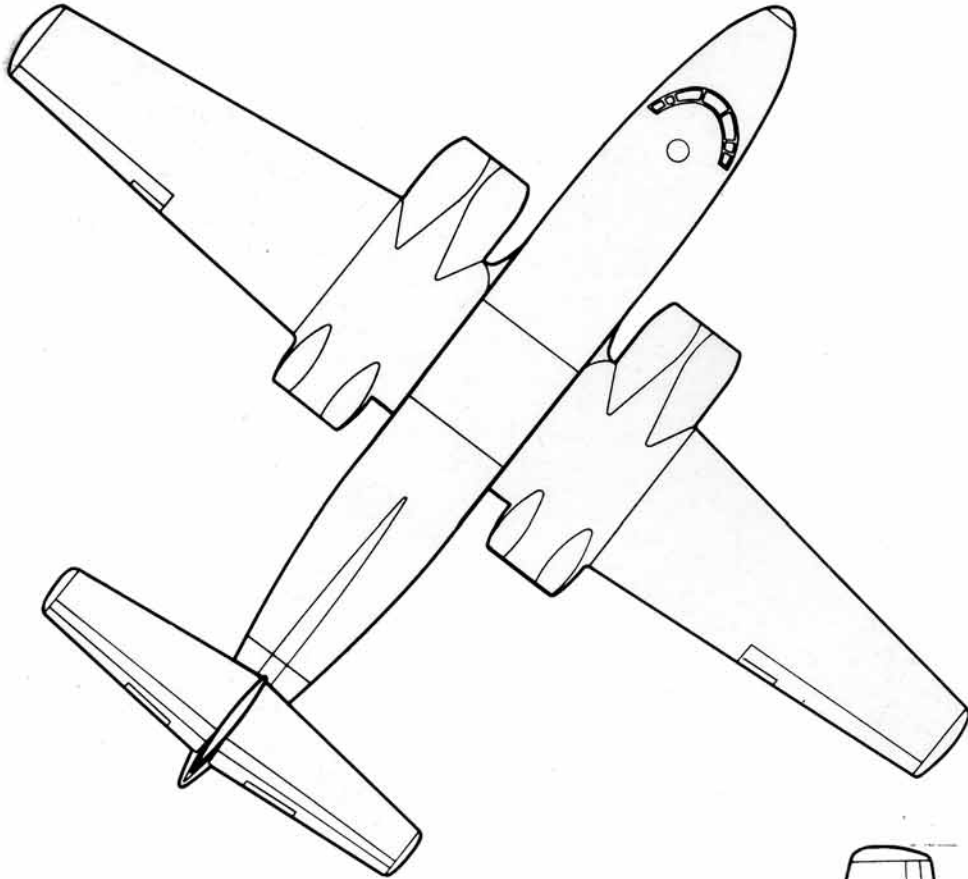
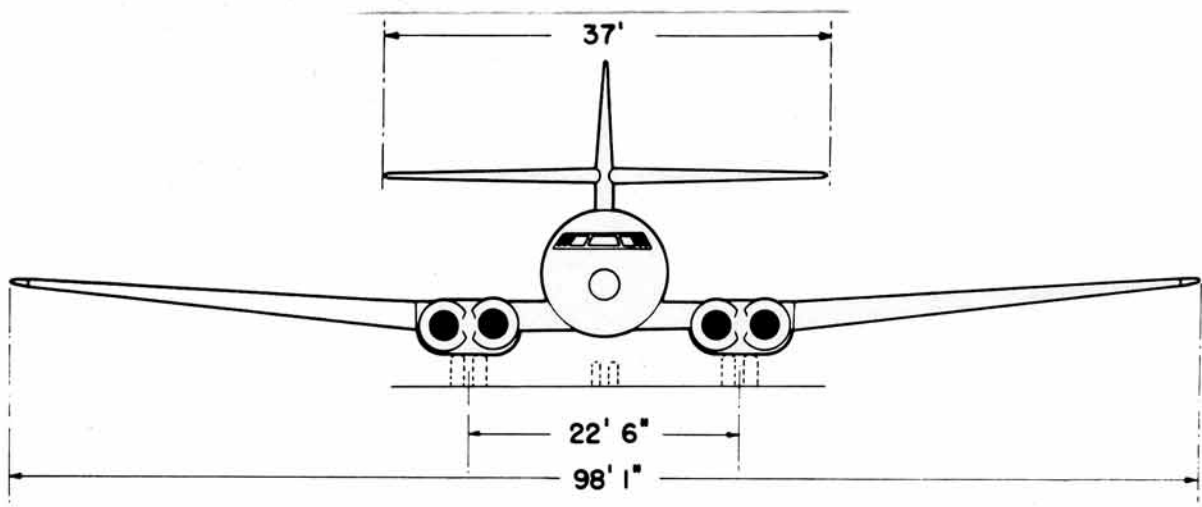
Manouan Photos - Plate I	5
Manouan Photos - Plate II	9
W/C O'Kelly Album Page	12
CAF/RCAF HS-2L Photos	14
Jetliner Photos - Plate I	19
Jetliner Photos - Plate II	21
G-CA** Photos - Plate I	27
G-CA** Photos - Plate II	28

Bob Bradford's cover painting is reproduced courtesy Rolph Clark Stone Ltd., of Toronto for whom it was originally painted.

This *Journal* is the official publication of the Canadian Aviation Historical Society. All articles published with authors' names are the opinions of the authors and do not necessarily reflect the policy of the CAHS. All work on this publication is voluntary and no payment can be made for published material.

Members wishing to submit or undertake articles are requested to contact the Editor at his address given above. All manuscripts for *Journal* publication should be typed (if possible), double-spaced, with no more than 50 characters to a line, using one side of each sheet only. All material will be returned to owners immediately upon its appearance in the *Journal*.

Membership in the CAHS is for one full calendar year commencing January 1st. A member joining at any time in the year up to December 31st will receive all quarterly *Journals* for the calendar year in which he joins. Annual membership fees of \$7.00 will be due for renewal on January 1st of each year.



AVRO CANADA C 102 JETLINER

AVRO CANADA DRAWING via KEITH BARLOW