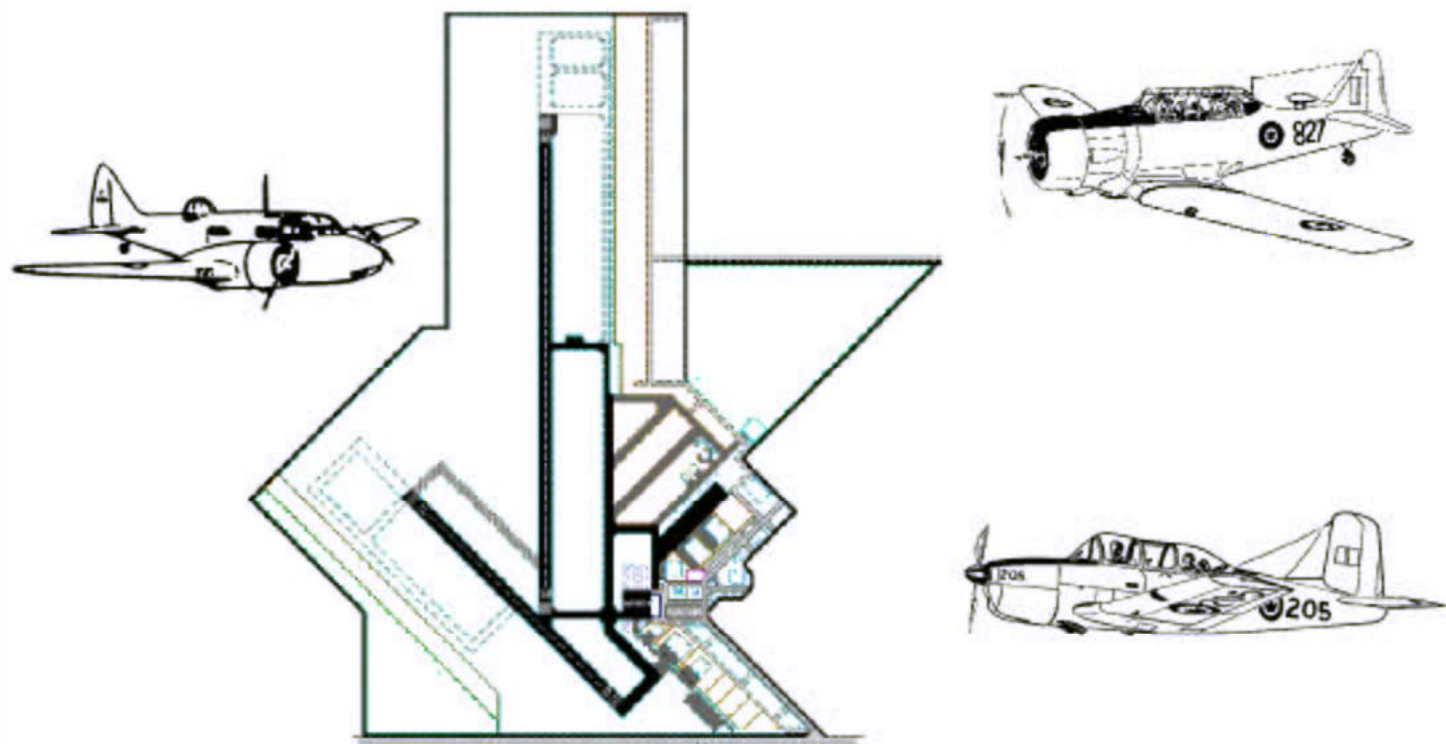


# Next Meeting of the Ottawa Chapter Canadian Aviation Historical Society



## **THE RED DEER / PENHOLD AIRFIELD** **Owen Cooke**

details the evolution of this central Alberta airfield;  
from its creation as a civil airport in 1939,  
through its years as a military air base, 1941-1965,  
to its current activities as a municipal airfield

**Bush Theatre, Canada Aviation Museum, Rockcliffe**  
**Thursday, 27 January 2005, 1930 Hours**

### **Aviation History Comes Alive!**

**Guest  
Speakers**

**Films &  
Slide Shows**

**Coffee  
& Donuts**

LANDING FEE

**\$1.00**

**Visitors and Guests are Always Welcome**